

PRODUCT INFORMATION PACKET

Model No: 5KCR48UN2654Y

Catalog No: 9040

Air Compressor Motor, 3 HP, 1 Ph, 60 Hz, 230 V, 3600 RPM, 56 Frame, DP



Regal and are trademarks of Regal Rexnord Corporation or one of its affiliated companies.
©2022 Regal Rexnord Corporation, All Rights Reserved. MC017097E

Nameplate Specifications

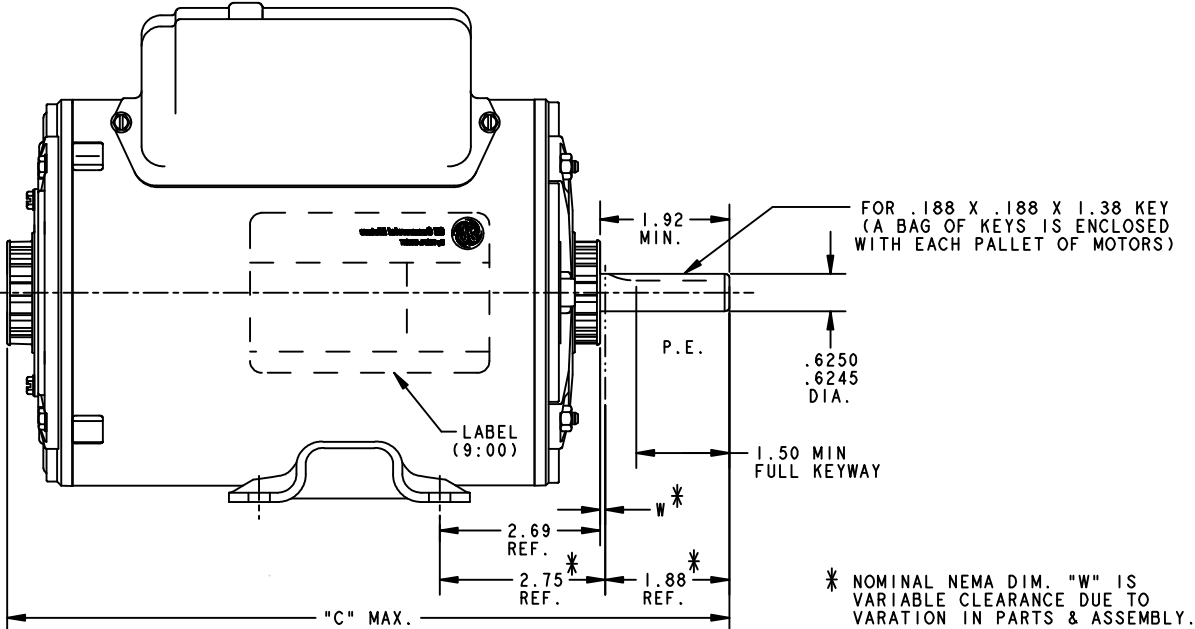
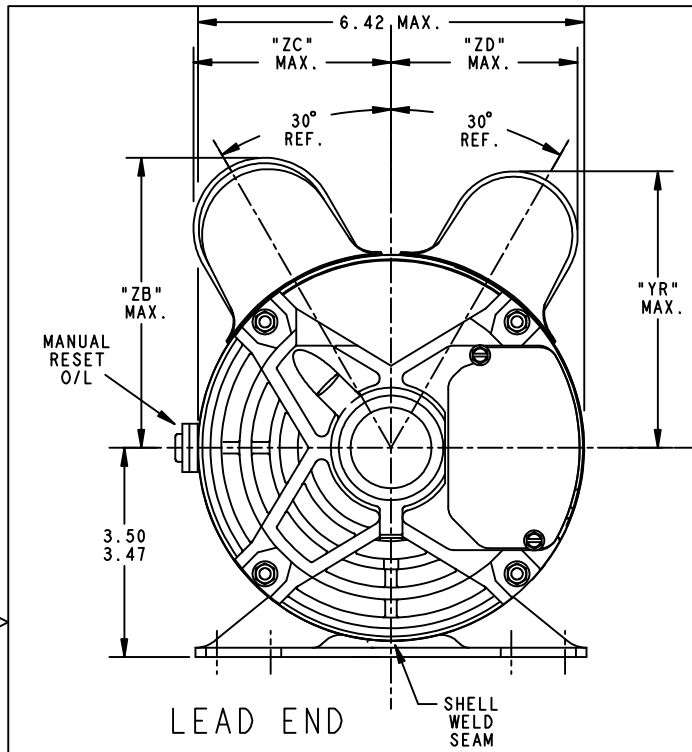
Output HP	3 Hp	Output KW	2.2 kW
Frequency	60 Hz	Voltage	230 V
Current	14 A	Speed	3450 rpm
Service Factor	1	Phase	1
Efficiency	79.4 %	Power Factor	0
Duty	Continuous	Insulation Class	B
KVA Code	J	Frame	56
Enclosure	Drip Proof	Thermal Protection	Manual
Ambient Temperature	40 °C	Drive End Bearing Size	6203
Opp Drive End Bearing Size	6203	UL	Recognized
CSA	Yes	CE	N
Number of Speeds	1		

Technical Specifications

Electrical Type	Capacitor Start Capacitor Run	Starting Method	SM
Poles	2	Rotation	Clockwise
Mounting	Rigid Base	Motor Orientation	ANY
Drive End Bearing	BALL	Opp Drive End Bearing	Ball
Frame Material	Rolled Steel	Overall Length	12.64 in
Frame Length	8.43 in	Shaft Diameter	0.630 in
Shaft Extension	1.88 in		
Outline Drawing	52B206998P2	Connection Drawing	52A109213

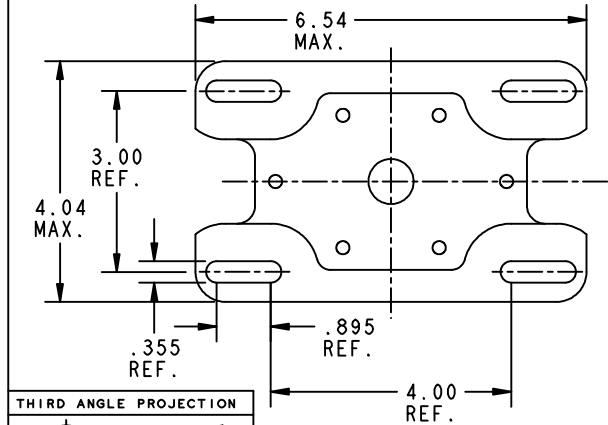
This is an uncontrolled document once printed or downloaded and is subject to change without notice. Date Created:09/07/2022

REVISIONS			
REV.	DESCRIPTION	DATE	APPROVED
11	REVRSO CAP CVRS R1200-270	11/22/00	R.P.C
12	CHG TO RBC FORMAT PER IS05-1777	05/03/06	MADHU



FOR .188 X .188 X 1.38 KEY
(A BAG OF KEYS IS ENCLOSED
WITH EACH PALLET OF MOTORS)

* NOMINAL NEMA DIM. "W" IS
VARIABLE CLEARANCE DUE TO
VARIATION IN PARTS & ASSEMBLY.



- NOTES:
 1. ENDPLAY .002-.010 (E1-115A321AAP2).
 2. MINIMUM CLAMPBOLT TORQUE IS 32 IN.-LBS.

5	KCR	49	7.68	11.89	4.66	4.66	3.17	3.17
4	KCR	48	8.43	12.64	4.66	4.66	3.17	3.17
3	KCR	48	8.43	12.64	4.27	4.66	3.17	2.82
2	KCR	48	8.43	12.64	4.90	4.90	3.38	3.38
1	KCR	49	7.68	11.89	4.27	4.66	3.17	2.82
P	TYPE	GE SIZE	SHELL (MIN.)	"C"	"YR"	"ZB"	"ZC"	"ZD"

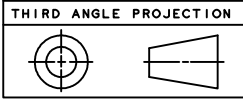
SIGNATURES		DATE
MODEL	M.W.E	03/04/93
DETAIL	.	.
CHECKED	.	.
ENGRG	.	.
NFG	.	.
APPLIED PRACTICES	QUALITY	.
DIMENSIONS ARE IN INCHES	ISSUED	M.W.PAPE 03/09/99
MATERIAL	SOLID MODEL: 52B206998	

REGAL-BELOIT CORPORATION

TITLE: **OUTLINE**
FMF - 40 FRAME 5KCR49SN2021Y

SIZE DRAWING: **52B206998** REV **12**

SCALE: 0.500 REF. No. . SHEET 1 of 1





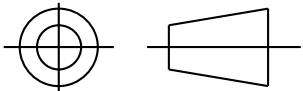
RBC PROPRIETARY AND CONFIDENTIAL INFORMATION

This document is the property of REGAL BELOIT CORPORATION ("RBC") including its subsidiaries and divisions and contains proprietary information of RBC. This document is loaned on the express condition that neither it nor the information contained therein shall be disclosed to others without the express written consent of RBC, and that the information shall be used by the recipient only as approved expressly by RBC. This document shall be returned to RBC upon its request. This document may be subject to certain restrictions under U.S. export control laws and regulations.

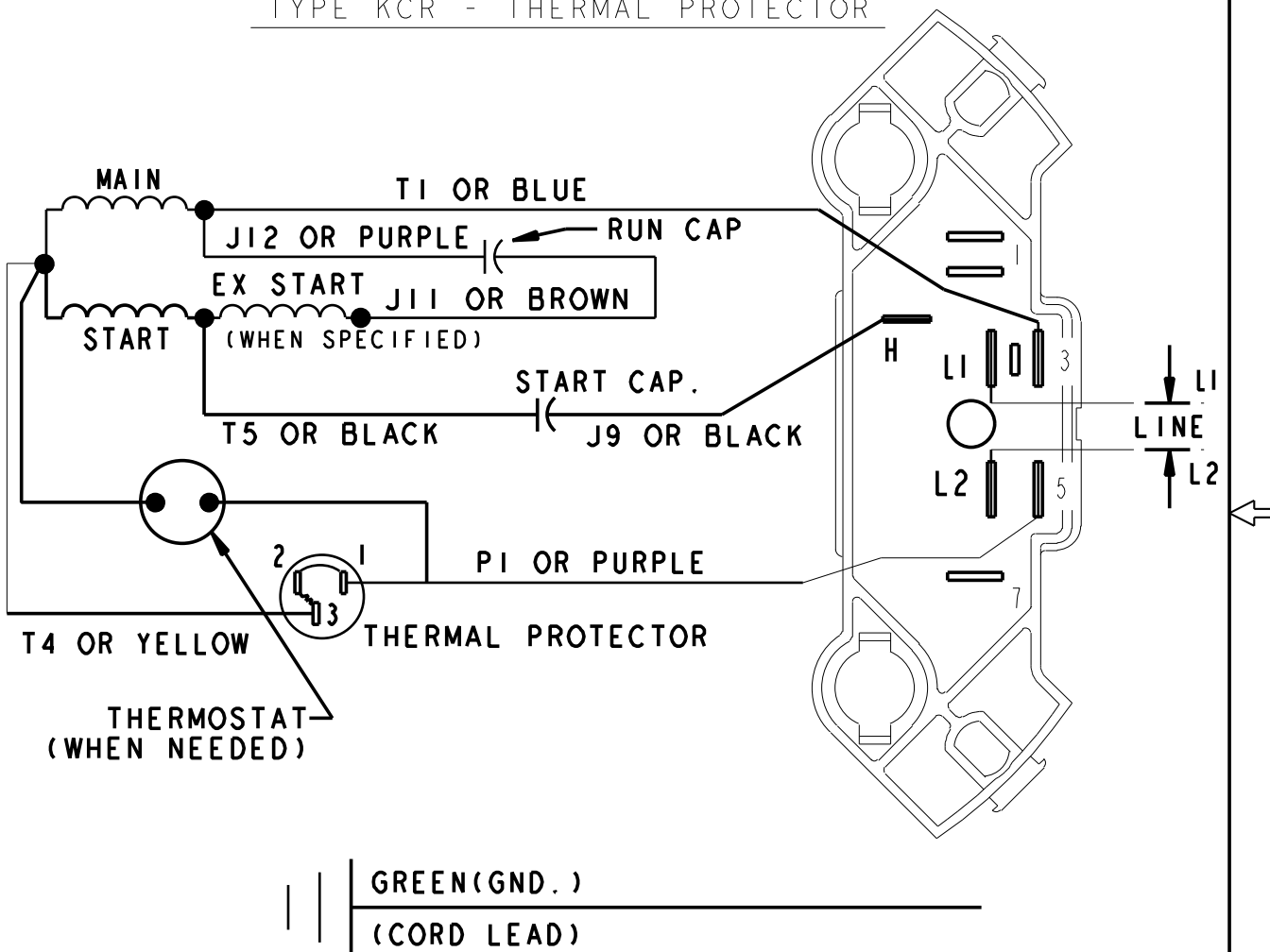
REVISIONS

REV.	DESCRIPTION	DATE	APPROVED
3	ADDED THERMOSTAT FOR DS051447	12/12/05	RAJKUMAR

THIRD ANGLE PROJECTION



SET ROTATION - SINGLE VOLTAGE - SINGLE SPEED
TYPE KCR - THERMAL PROTECTOR



REF. DIAG. - NONE

SWITCH (APPL) - 115D958EA
CONNECTION LABEL - 52X333074AA

FOR ADDITIONAL INFO REFER TO:

APPLIED PRACTICES

DIMENSIONS ARE IN INCHES

TOLERANCE ON:
1 PL DECIMALS ± 0.1
2 PL DECIMALS ± 0.02
3 PL DECIMALS ± 0.005
ANGLES ± 1.0
FRACTIONS ±

FINISH



MATERIAL

SIGNATURES	DATE
MODEL	.
DETAIL	M.M.E 07/06/93
CHECKED	.
ENGRG	.
MFG	.
QUALITY	.
ISSUED	M.M.E 07/06/93
SOLID MODEL: 52A109213	



REGAL-BELOIT CORPORATION

TITLE

CONNECTION DIAGRAM

FMF - 5KCR49RN2027X

TI93-20485

SIZE DRAWING
A

52A109213

REV
3

SCALE: 1.000

REF. No: .

SHEET 1 of 1

